

TECHNICAL SHEET

1708-30 WALL

Mounting: Wall sconces

Environment: Indoor - Dry location

Materials: Metal

Voltage: 120V 60Hz

Source: LED 10W - 3000 K - CRI=90

Lumen: 469lm

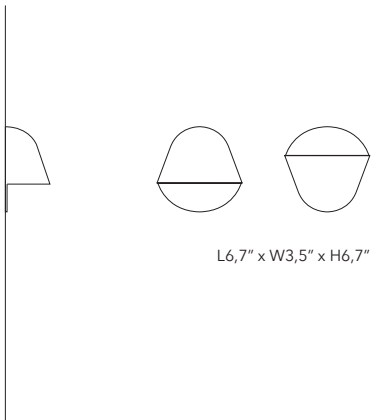
Lighting control: Dimmable phase cut



Certification



1708-30



Finishes

Structure



Matt black

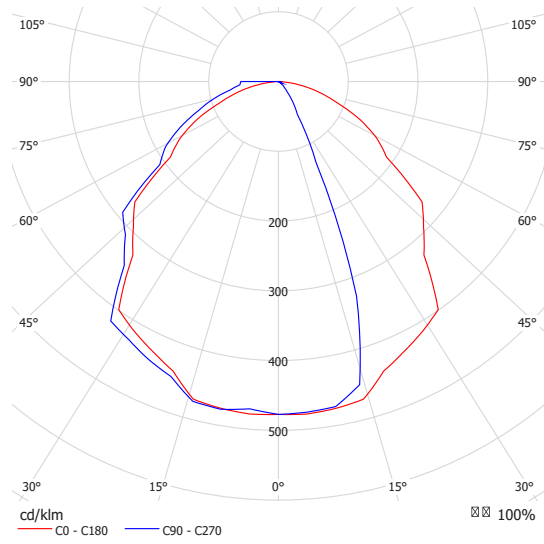


Matt gold



Matt white

Photometric Data



Enoki

NOTE:
2700K version available after technical verification

CODES	SIZE	STRUCTURE	SHADE	DETAILS
1708-30-0600-DXNU	wall sconces	matt gold		dimnable phase cut
1708-30-1100-DXNU	wall sconces	matt black		dimnable phase cut
1708-30-0100-DXNU	wall sconces	matt white		dimnable phase cut