

TECHNICAL SHEET

1708-30 WALL

Mounting: Wall sconces
Environment: Indoor - Dry location
Materials: Metal
Voltage: 120V 60Hz
Source: LED 10W - CRI=90
Color Temperature: 3000K
Lumen: 469lm
Lighting control: Dimmable phase cut

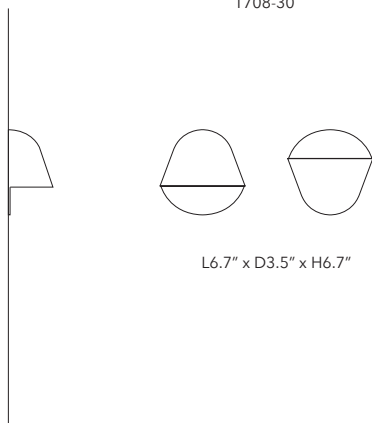


Certification



2700K version available after technical verification

1708-30



Finishes

Structure



Matt black varnished metal



Matt gold varnished metal



Matt white varnished metal

Enoki Daniel Debiasi & Federico Sandri

CODES	SIZE	STRUCTURE	SHADE	DETAILS
1708-30-0600-DXNU	wall sconces	matt gold		dimnable phase cut
1708-30-1100-DXNU	wall sconces	matt black		dimnable phase cut
1708-30-0100-DXNU	wall sconces	matt white		dimnable phase cut